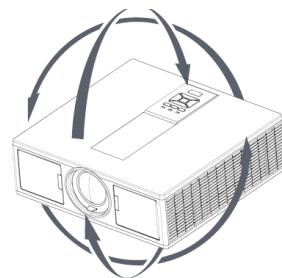
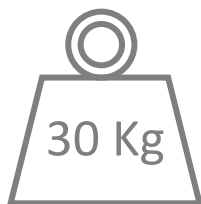
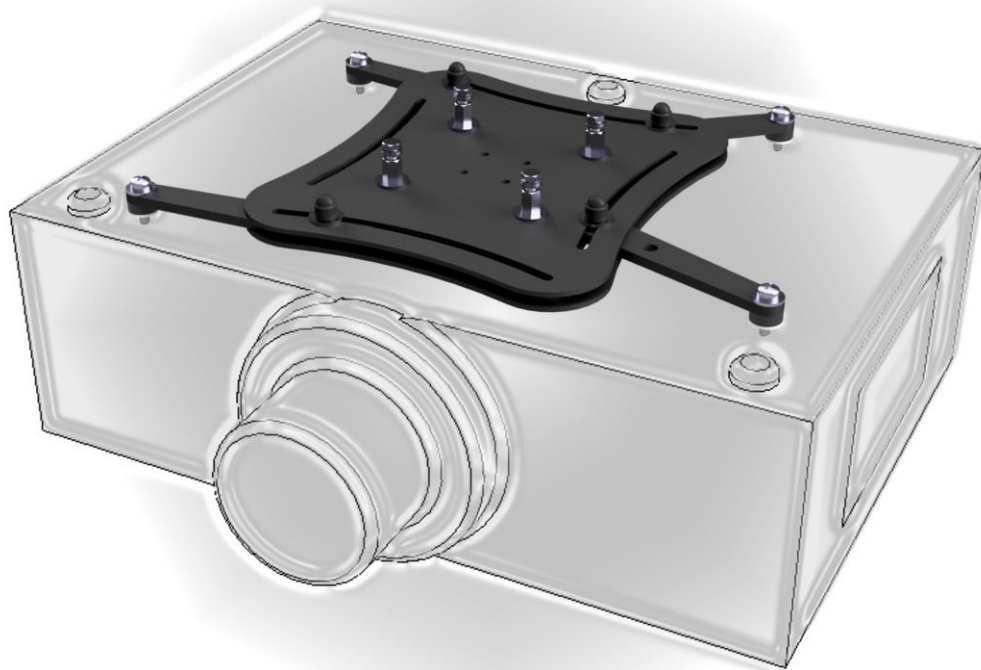


# MOUNTING GUIDE

## QFIX-4 and QFIX-5



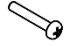
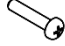
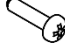














360° ORIENTATION












**Audipack<sup>®</sup>**


*It's great to have solutions...*


## What is in de box?

400670			
QTY	PART	DESCRIPTION	PART NUMBER
4		Bolt M4 x 25 - DIN 7985 H	
4		Bolt M5 x 25 - DIN 7985 H	
4		Bolt M6 x 25 - DIN 7985 H	
4		Bolt M8 x 25 - DIN 7985 H	
4		Lockwasher Ø 4 mm - DIN 127	
4		Lockwasher Ø 5 mm - DIN 127	
4		Lockwasher Ø 6 mm - DIN 127	
4		Lockwasher Ø 8 mm - DIN 127	
4		Washer Ø 4 mm - DIN 9021	
4		Washer Ø 5 mm - DIN 9021	
4		Washer Ø 6 mm - DIN 9021	
4		Washer Ø 8 mm - DIN 125	
4		Shoulder washer M4	440180
4		Shoulder washer M5	440181
4		Shoulder washer M6	440182
4		Shoulder washer M8	440183
4		SPACER	712289

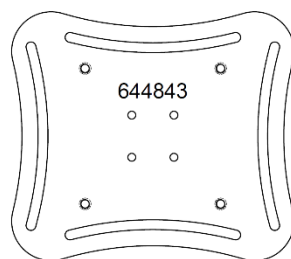
## Wat zijn er in de doos?

400671			
QTY	PART	DESCRIPTION	PART NUMBER
4		NUT CAP	330022
4		Bolt M6 x 25 - DIN 603	
4		Washer M6 - DIN 522	
4		Locking nut - DIN 985	
4		Stud M/F M6 x15	440239
4		Washer M6 - DIN 522	
4		Washer Ø 6 mm - DIN 125	
4		Lockwasher Ø 6 mm - DIN 127	
4		Bolt M6 x 16 - DIN 933	

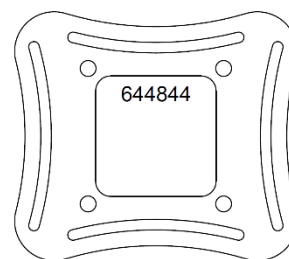
400672 (QFIX-4)			
QTY	PART	DESCRIPTION	PART NUMBER
4		ARM	644845

400673 (QFIX-5)			
QTY	PART	DESCRIPTION	PART NUMBER
4		ARM	644879

1x

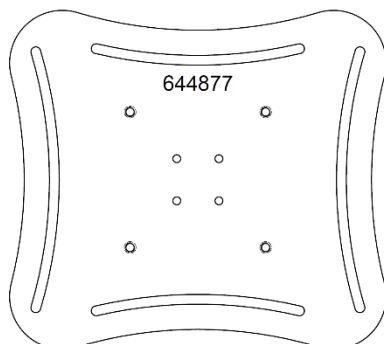


QFIX-4

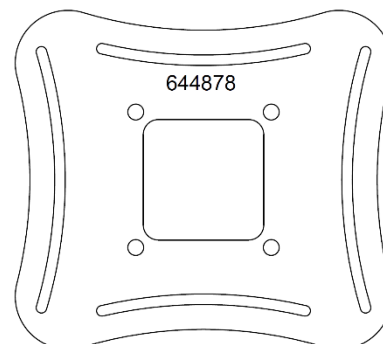


1x

1x



QFIX-5



1x

# MOUNTING POSITION

## CENTERED

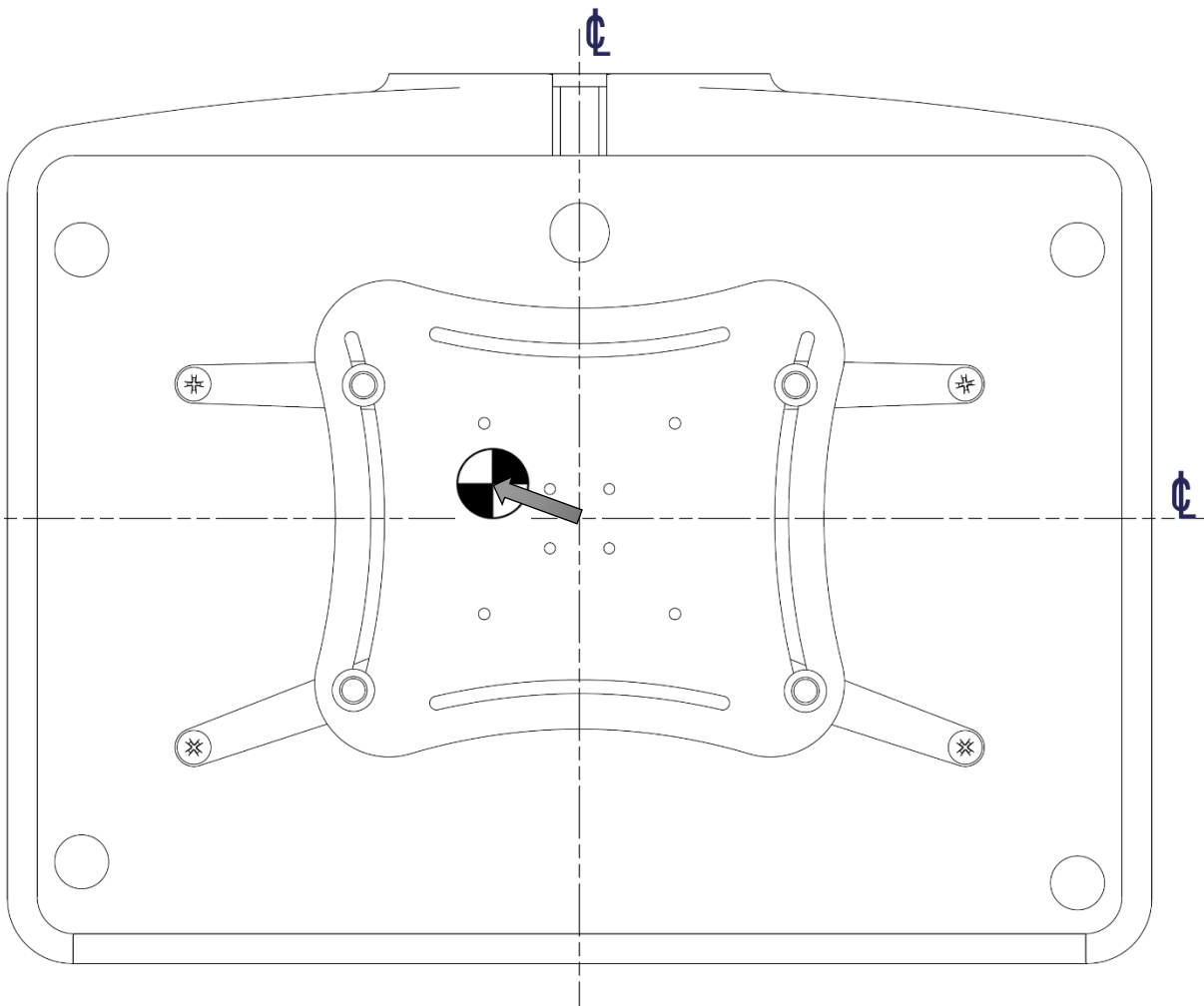
The center of projector mount should be mounted centered in relation to the projector for the following products:

- ✓ Projector stackframes (PSF)
- ✓ Projector ceiling lift (PCL)
- ✓ Mirror Kit (MKT)

## CENTER OF GRAVITY (COG)

The center of projector mount could be mounted in line with the center of gravity for the following products:

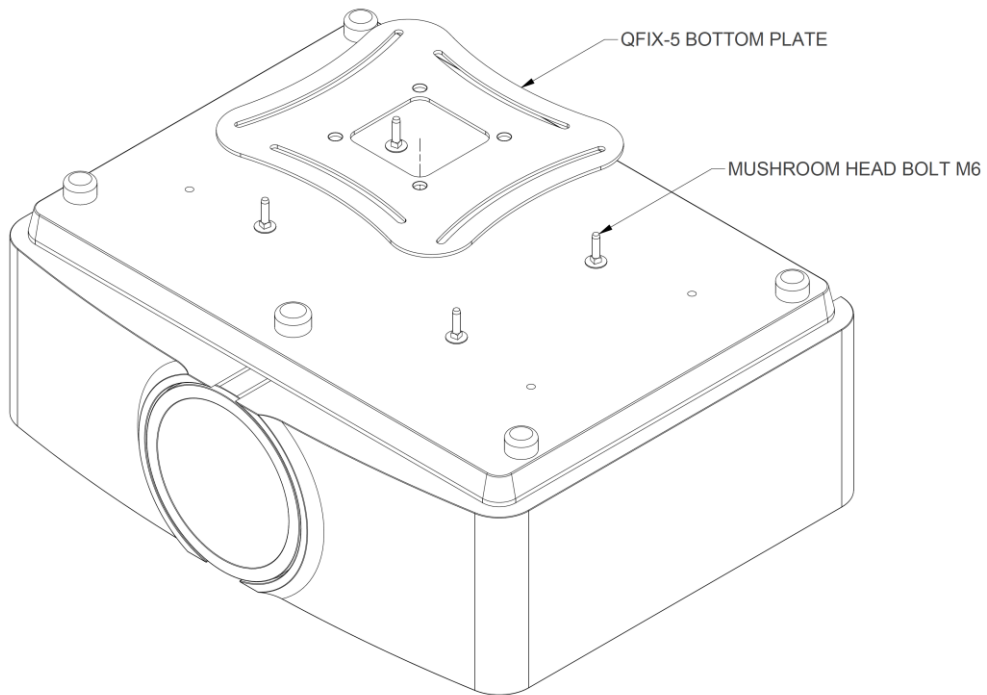
- ✓ Ceiling mounts UTS-series
- ✓ Truss mounts UTC-series



# MOUNTING STEPS

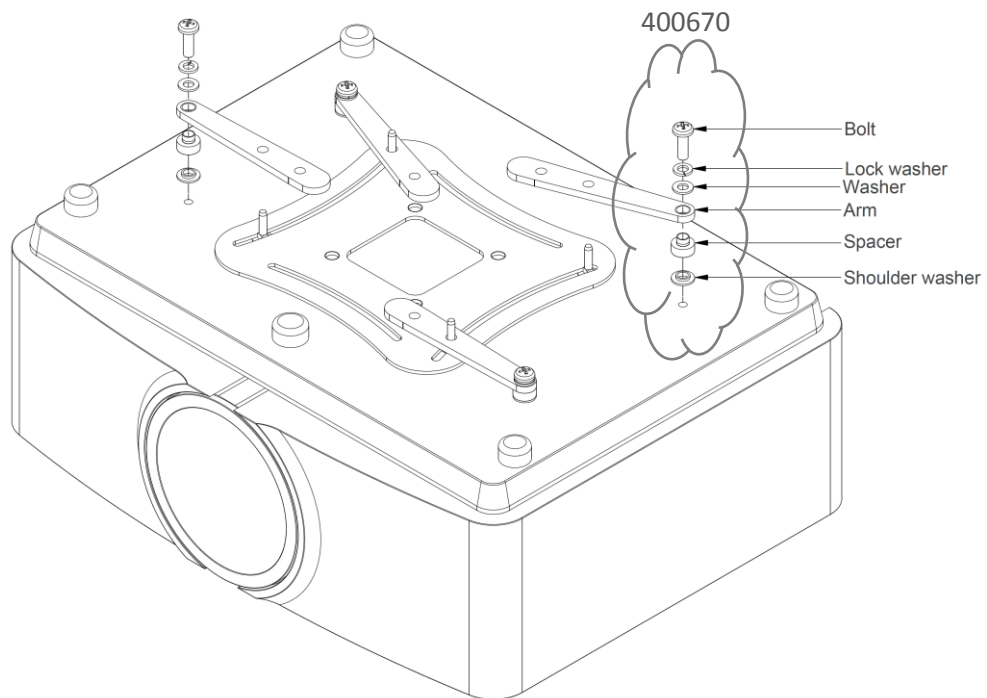
## STEP 1

Put the bottom plate and mushroom head bolts M6 as in the picture.



## STEP 2

Determine the size of the projector mounting thread. M4, M5, M6 or M8  
Mount the arms to the projector as in the picture.

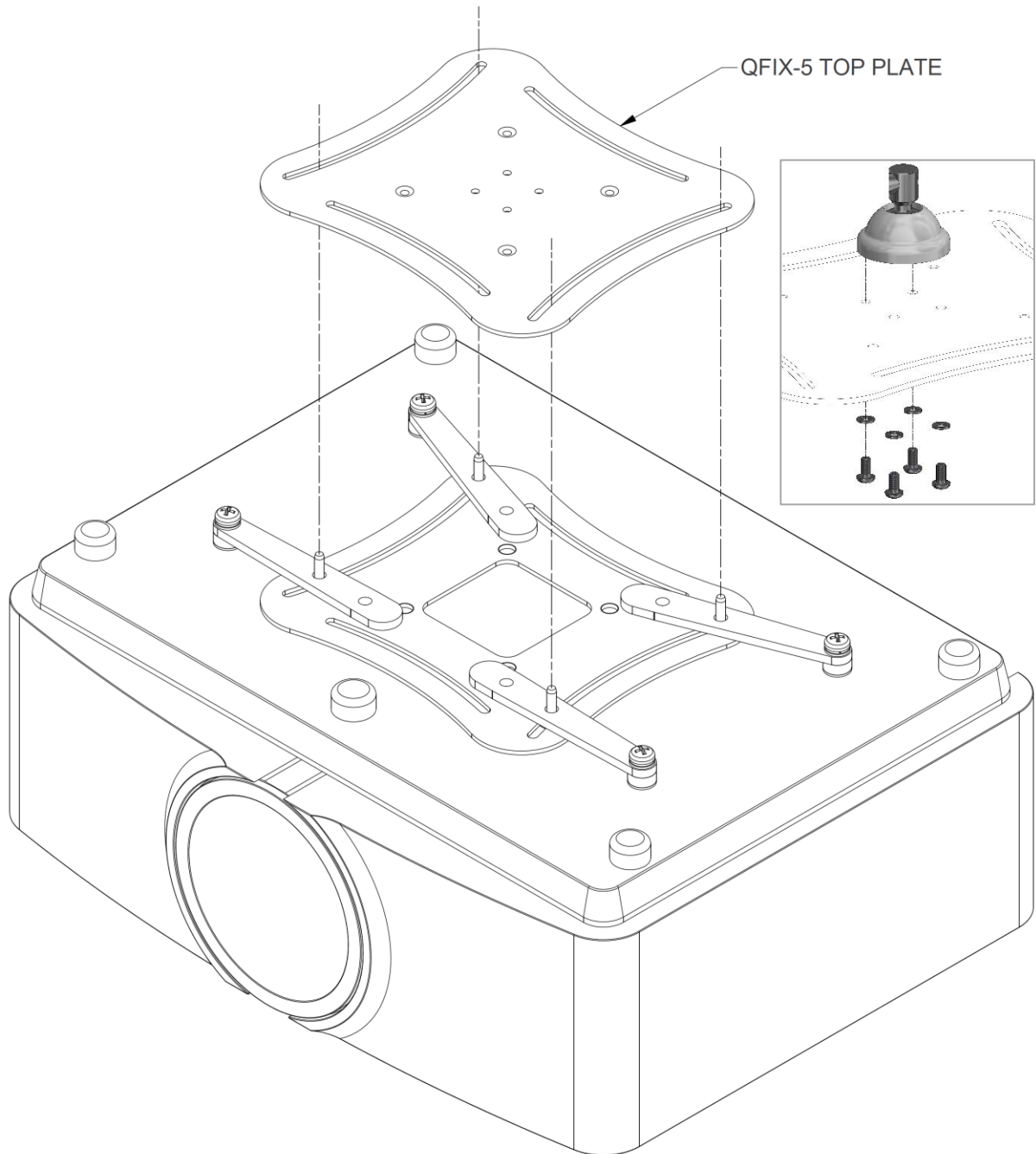


# MOUNTING STEPS

## STEP 3

Put the top plate on the arms.

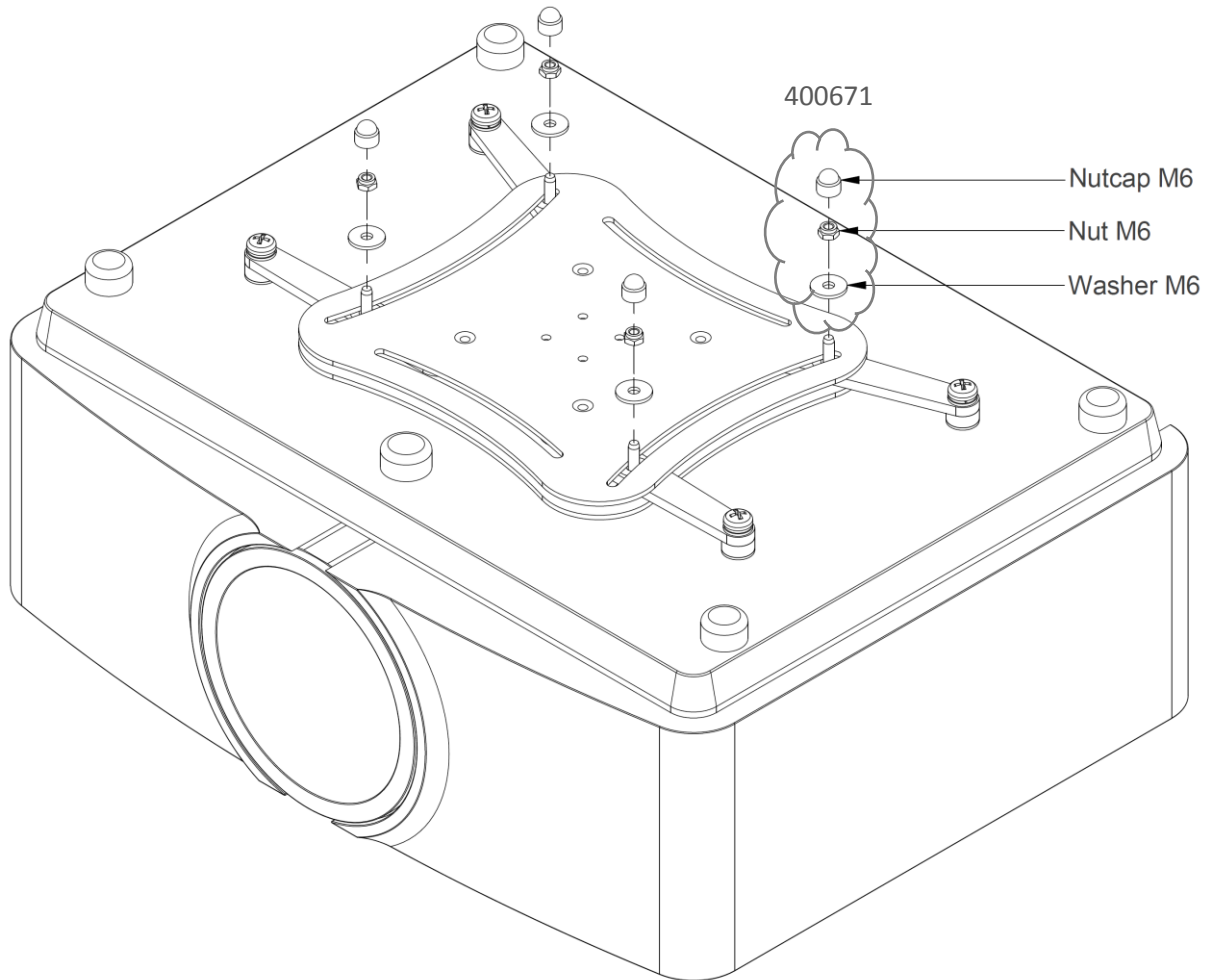
If a BJ-1 is used, mount the shell on the top plate before.



# MOUNTING STEPS

## Step 4

Mount top plate with washers and M6 self-locking nuts and put the nutcaps on top.

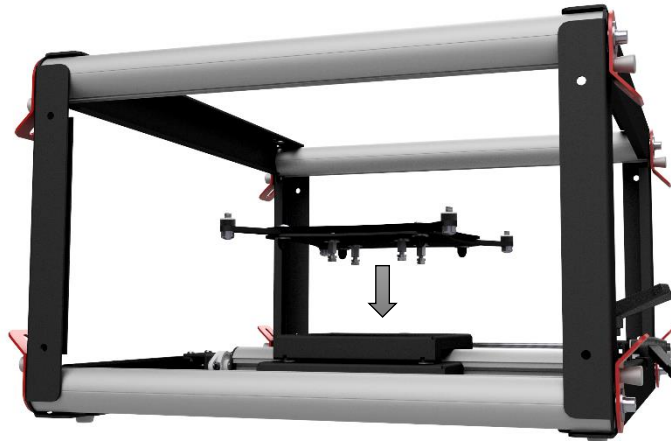


# MOUNTING SAMPLES

**Tube set (without studs)**



**Stackframe (with studs)**



**Projector ceiling lift (with studs)**



Audipack's general conditions of sales and delivery apply to all of Audipack's deliveries. These conditions can be downloaded from Audipack's website, [www.audipack.com](http://www.audipack.com), or will be send by post on request.

Audipack liefert ausschließlich unter die allgemeinen Verkauf- und Lieferungsbedingungen von Audipack. Diese Bedingungen sind zum Downloaden verfügbar auf die Webseite von Audipack, [www.audipack.com](http://www.audipack.com), oder werden Ihnen auf Anfrage per Post gesendet.

Alle leveringen geschieden uitsluitend volgens de Algemene Verkoop- en Leveringsvoorwaarden van Audipack. Een afschrift hiervan kunt u downloaden van de website van Audipack, [www.audipack.com](http://www.audipack.com), of wordt u op aanvraag gestuurd per post.

Les conditions de Vente et de livraison de Audipack s'appliquent à tous les livraisons de Audipack. Ces conditions sont disponibles sur le site internet de Audipack, [www.audipack.com](http://www.audipack.com), où seront envoyé par poste sur demande.

**AUDIPACK**  
**Industriestraat 2-4**  
**2751 GT Moerkapelle**  
**The Netherlands**

**Tel: +31(0)795931671**  
**Fax: +31(0)795933115**  
**Email: [audipack@audipack.com](mailto:audipack@audipack.com)**  
**[www.audipack.com](http://www.audipack.com)**

Audipack reserves the right to make changes in specifications and other information contained in this document without prior written notice. The information provided herein is subject to change without notice. In no event shall Audipack be liable for any incidental, special, indirect, or consequential damages whatsoever, including but not limited to lost profits, arising out of or related to this manual or the information contained herein, even if Audipack has been advised of, known, or should have known, the possibility of such damages.